

KISA STROK PNÖMATİK SİLİNDİR SHORT STROKE PNEUMATIC CYLINDER

CYLINDERS SİLİNDİRLER

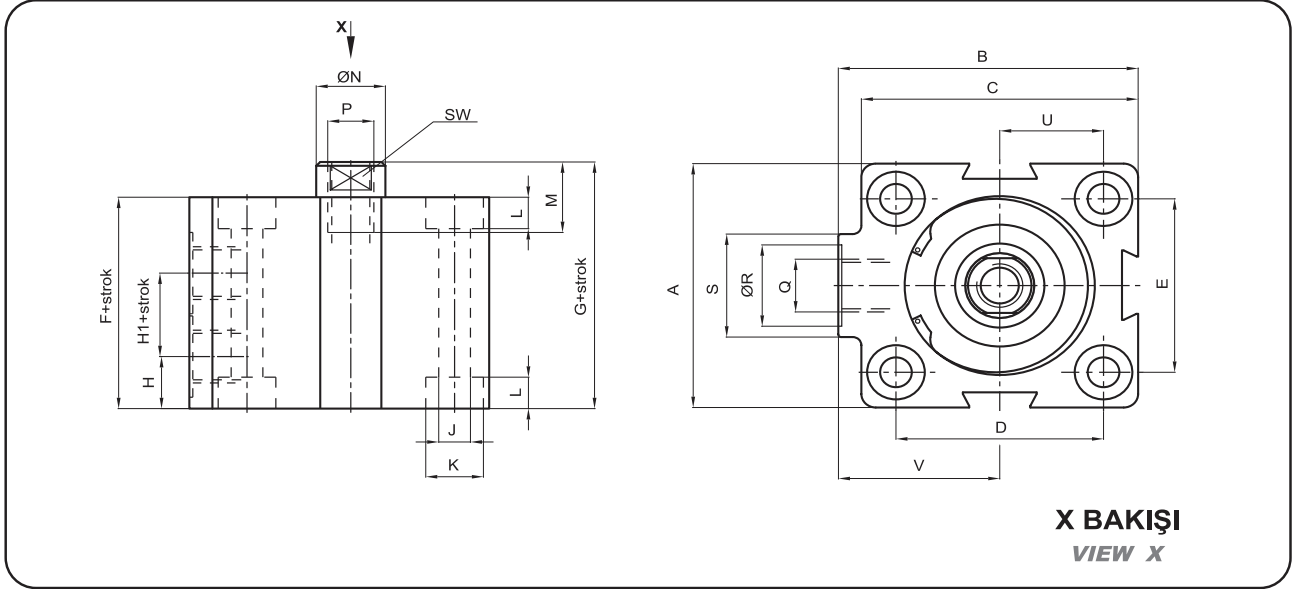


KNS -

	Standart / Standard	Çift Etkili / Double Acting	Piston Çapı / Piston Diameter	Strok / Stroke	
M	Manyetik / Magnetic	T	Tek Etkili / Single Acting	20, 25, 32, 40, 50, 63, 80, 100	10, 15, 25, 40, 50

Ölçüler / Dimensions

TEKNİK ÖZELLİKLER / TECHNICAL SPECIFICATIONS	
Silindir Gövdesi / Cylinder Tube	Alüminyum / Aluminum
Silindir Kapakları / Cylinder End Caps	Alüminyum / Aluminum
Silindir Mili / Piston Rod	CK 45 Krom Kaplı / CK 45 Chrome Plated
Boğaz Keçesi / Rod Seal	Poliüretan / Polyurethane
Piston Keçesi / Piston Seal	Poliüretan / Polyurethane
Max. Çalışma Basıncı / Max. Operating Pressure	10 BAR
Çalışma Sıcaklığı / Temperature Range	-20°C, +80°C



	A	B	C	D	E	F	G	H	H1	J	K	L	M	N
KNS-20	32	34	32	22	22	36	42	8,15	16,2	4,8	7,5	4,8	10	10
KNS-25	37	44	39	28	26	38	45	9	17	4,8	7,5	4,8	10	12
KNS-32	45	53,5	48	36	32	39	46	9,5	17,2	5,5	10	5,8	13	12
KNS-40	55	61	55	40	40	40	48	10	17,4	5,5	10	6,8	13	16
KNS-50	65	72	65	50	50	45	53	12,3	19	6,5	11	6,8	15	20
KNS-63	80	88	80	62	62	46	54	11,8	21,3	8,5	14	9	15	20
KNS-80	94	104	94	73	73	55	64	16,2	24,4	8,5	14	9	20	25
KNS-100	117	125,5	117	90,5	90,5	60	70	15,9	28,2	11	18	11	20	25

	P	Q	R	S	U	V	SW	KNS Ağırlık (kg) KNS Weight (kg)		KNSM Ağırlık (kg) KNSM Weight (kg)	
								Strok =0'da At 0 Stroke	Her 10 mm. Strok için Weight Per 10 mm Stroke length	Strok =0'da At 0 Stroke	Her 10 mm. Strok için Weight Per 10 mm Stroke length
KNS-20	M5	M5	8	11	11	18	8	0.082	0.020	0.084	0.020
KNS-25	M6	G1/8"	15	19	14	24,5	10	0.132	0.032	0.135	0.032
KNS-32	M8	G1/8"	15	18	18	29,5	10	0.192	0.041	0.196	0.041
KNS-40	M8	G1/8"	15	19	20	33,5	13	0.284	0.059	0.291	0.059
KNS-50	M10	G1/8"	15	20	25	39,5	17	0.452	0.078	0.461	0.078
KNS-63	M10	G1/8"	15	23	31	48	17	0.659	0.104	0.676	0.104
KNS-80	M12	G1/4"	20	23	36,5	57	22	1.160	0.136	1.187	0.136
KNS-100	M12	G1/4"	20	23	45,25	67	22	1.822	0.181	1.863	0.181