



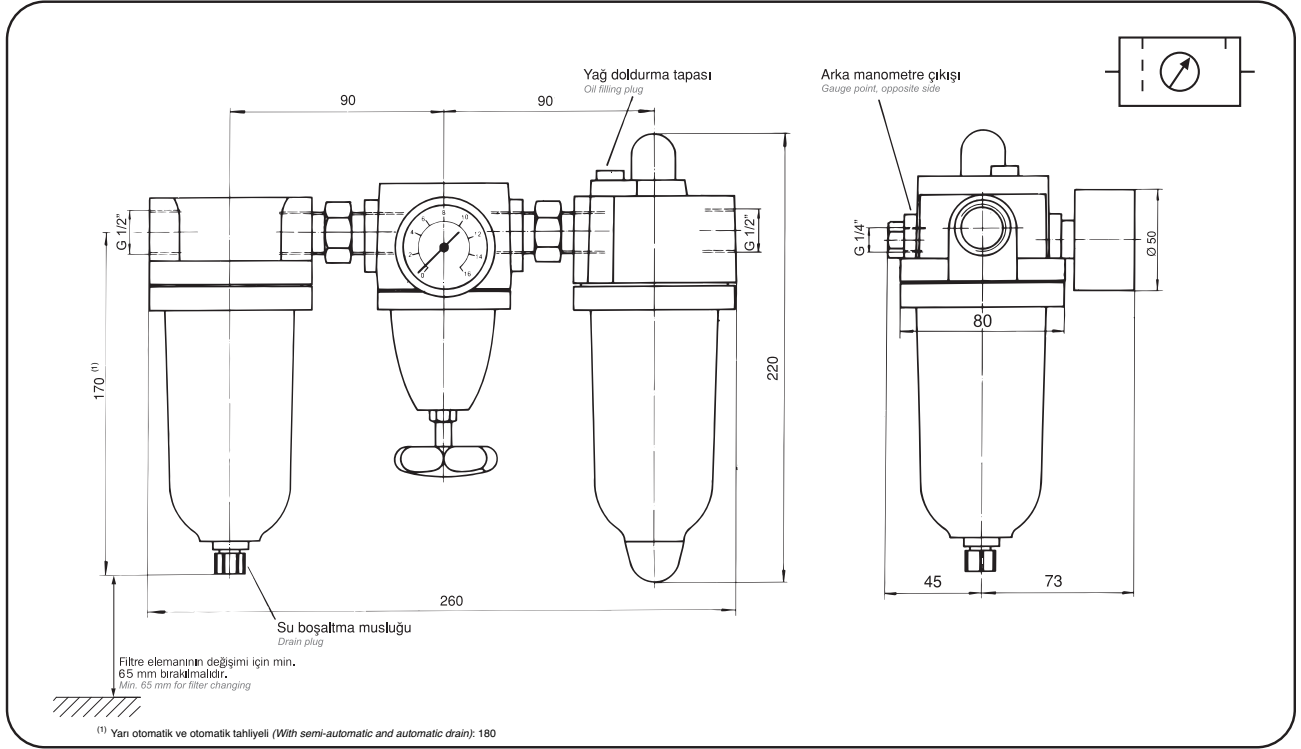
## FRY - 1/2" ..

	Manuel / Manual
A	Otomatik / Automatic

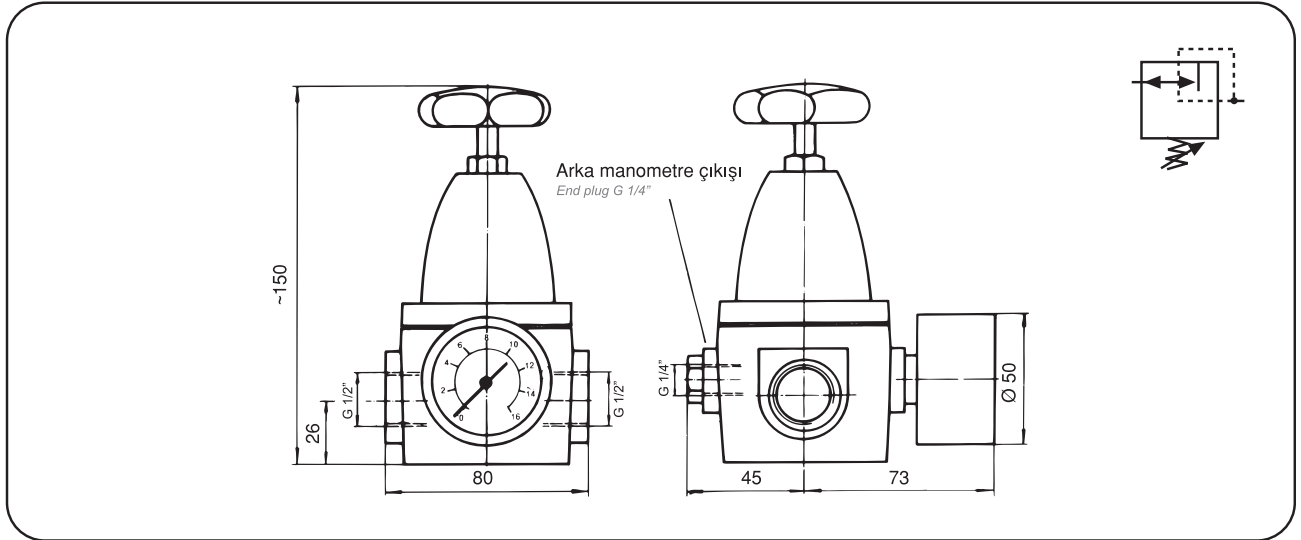
## TEKNİK ÖZELLİKLER / TECHNICAL SPECIFICATIONS

Giriş basıncı / Inlet pressure range :0 ... 16 bar  
Çıkış basıncı / Outlet pressure range :0,5 ... 10 bar (10 barda)  
Çalışma sıcaklığı / Temperature range :-10°C ... +50°C (at 10 bar)

## Ölçüler / Dimensions



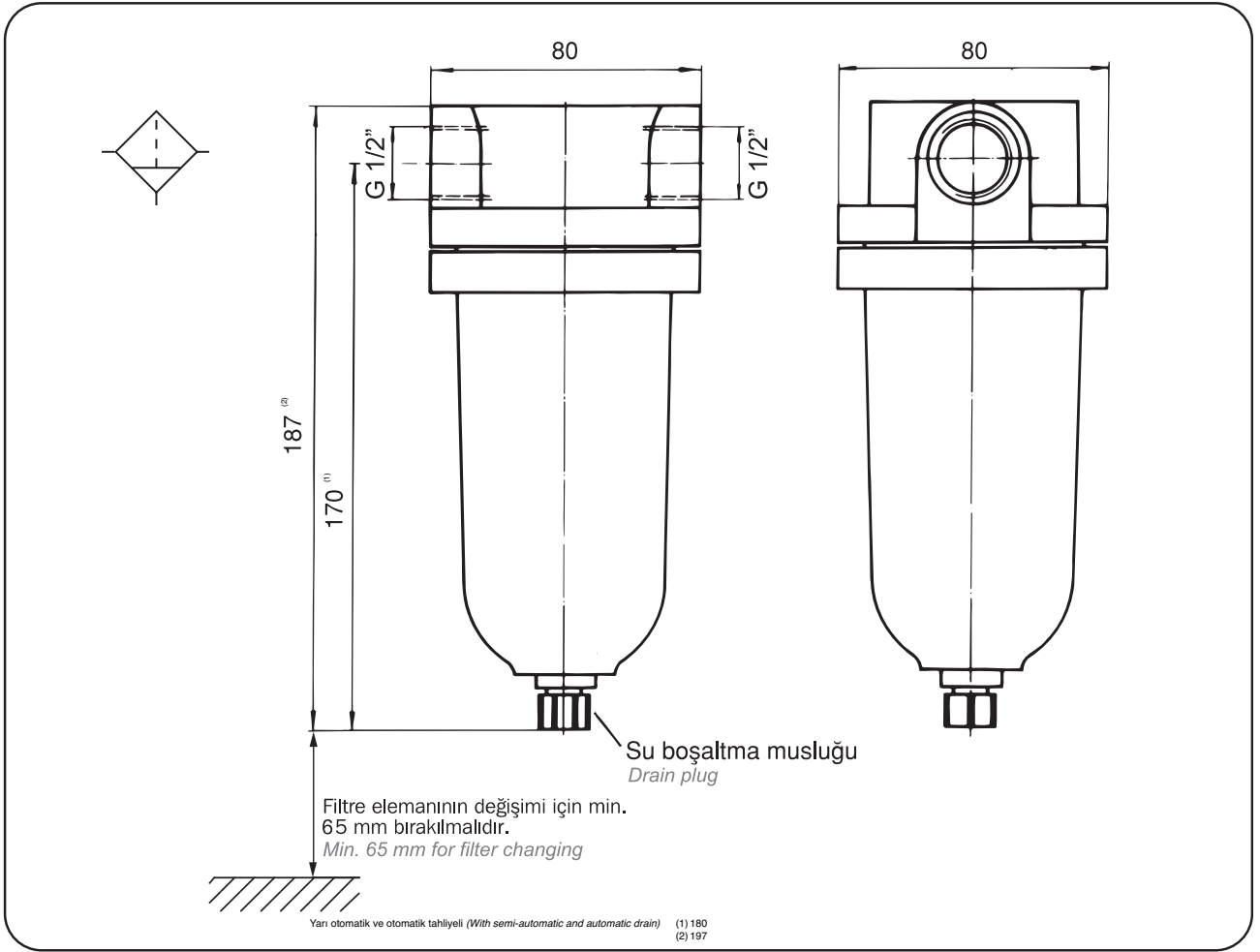
## Regülatör / Regulator R - 1/2"



## TEKNİK ÖZELLİKLER / TECHNICAL SPECIFICATIONS

TİP / TYPE	R 1/2"
Ölçü / Connection	G 1/2"
Çalışma Sıcaklığı / Temp. range	0 °C ~ +60 °C (10 bar'da) / at 10 bar
Giriş Basıncı / Inlet pressure	0 - 16 bar
Çıkış Basıncı / Outlet pressure	0.5 - 10 bar, isteğe göre 0.5 - 4 ve 0.5 - 16 bar yapılabilir. 0.5 - 10 bar; 0.5 - 4 and 5.5 - 16 bar optimal
Min. Basınç Farkı / Pressure drop	$P_1 - P_2 = 0.2 \text{ bar}$
Debi NI/dak. / Flow rate NI/min.	1900 NI/dak ( $p_1=8 \text{ bar}$ , $p_2=6 \text{ bar}$ , $v=25 \text{ m/s}$ ) 2850 NI/dak ( $p_1=6 \text{ bar}$ , $\Delta p=1 \text{ bar}$ )
Ağırlık / Weight	0.72 Kg

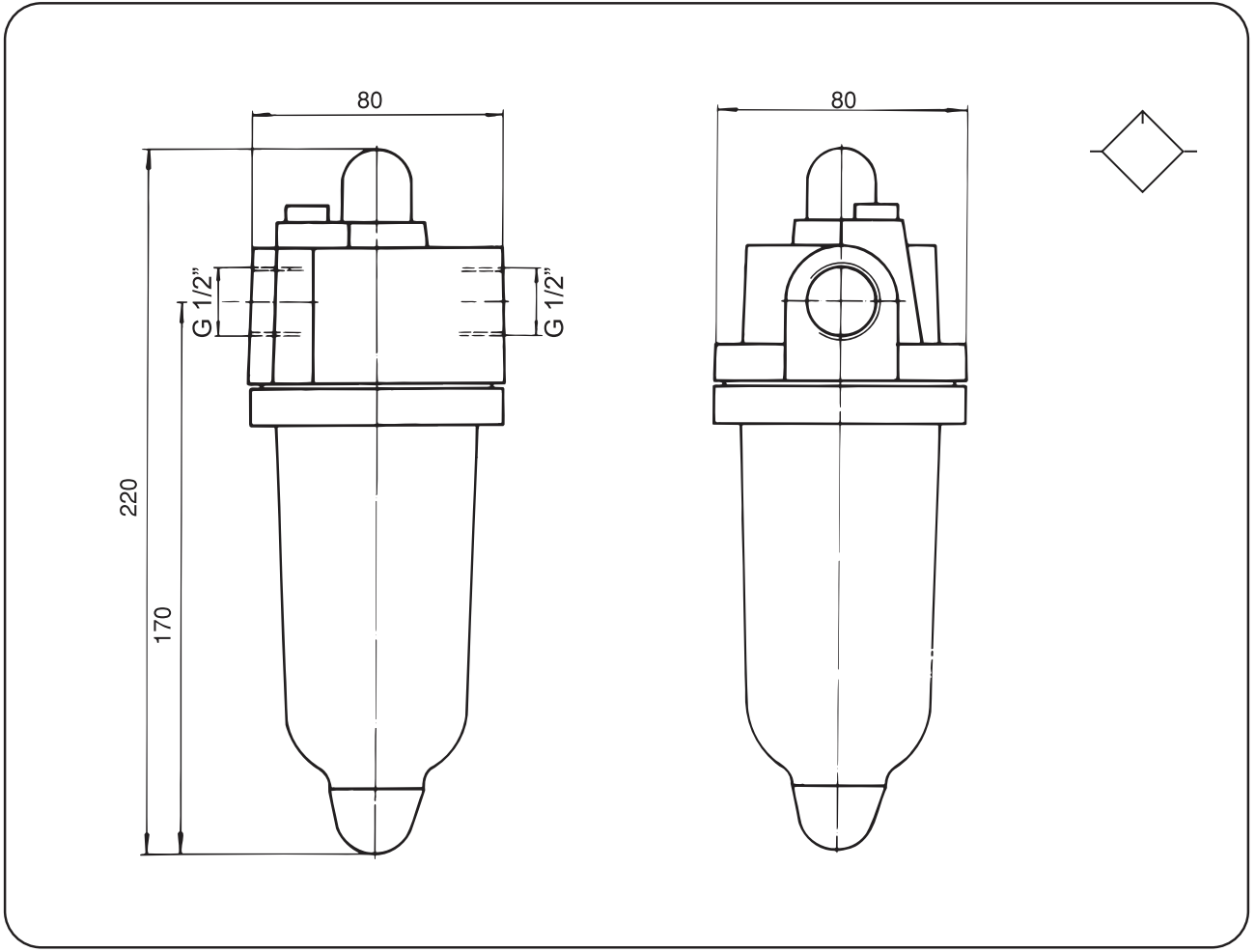
## Filtre F-1/2" / Filter F-1/2"



## TEKNİK ÖZELLİKLER / TECHNICAL SPECIFICATIONS

TİP / TYPE	F 1/2
Ölçü / Connection	G 1/2"
Filtreleme Değeri / Pore size of filter element	30 µm
Tahliye Şekli / Drain type	Manuel/Yarı otomatik (İsteğe göre otomatik yapılabilir) Manual/Semi automatic - Automatic (Optional)
Bağlantı Konumu / Installation	Dikey / Vertical
Çalışma Sıcaklığı / Temp. range	0 °C ~ +50 °C (10 bar'da) / at 10 bar
Çalışma Basıncı / Operating pressure range	0 - 16 bar
Debi lt/dk / Flow rate l/min.	1900 (p <sub>1</sub> = 6 bar, v=25 m/s) 4150 (p <sub>1</sub> = 6 bar, Δ=1 bar)
Verim / Efficiency	% 95
Ağırlık / Weight	0.60 Kg

## Yağlayıcı Y-1/2" / Lubricator Y-1/2"



### TEKNİK ÖZELLİKLER / TECHNICAL SPECIFICATIONS

TİP / TYPE	Y 1/2
Ölçü / Connection	G 1/2"
Hava Yağ Karışım Oranı / Oil / Air ratio	Ayar vidası ile ayarlanabilir / Adjustable
Bağlantı Konumu / Installation	Dikey / Vertical
Çalışma Sıcaklığı / Temp. range	-20 °C ~ +50 °C (10 bar'da) / at 10 bar
Çalışma Basıncı / Operating pressure range	0 - 16 bar
Debi lt/dk / Flow rate l/min.	1900 (p <sub>1</sub> = 6 bar, v=25 m/s) 4200 (p <sub>1</sub> = 6 bar, Δ=1 bar)
Ağırlık / Weight	0.53 Kg







**MAINTANANCE:**

- Check the amount of oil in the bowl and if it is necessary or below the min.level mark, add more oil.
- Please clean the bowl and sight glass only with soapy water or detergent.

**WARNINGS**

- If it is desired to use teflon tape on the connections, please prevent any teflon particles to go in to the line.
- Our company will provide all types of maintenance and repair services and spare parts. Please consult us for any malfunctioning. Any interference done by the user will cancel the ongoing guarantee period.

**(\*) CAUTION**

The materials given below shall not contact the bowl of the filter and lubricator neither in liquid nor gas phases. In such environments please use metal bowls.

Acetone, benzole, brake oil, chloroform, scetic acid, glycerine, methyl alcohol, carbon dioxide-sulphide, trichlorethylene, tetrachlorethylene, carbontetrachloride and equivalents, tuloul, xylool (cellulosic thinner), fire-resistant oils (phosphate ester based).

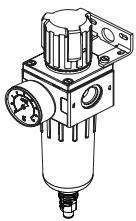
Please contact us for the chemicals going to be used for special applications safely other than the list given above that affects the bowl negatively.

THE PRODUCTS GUARANTEE PERIOD WILL END BECAUSE OF NOT USING THE PRODUCTS FOR THE ABOVE REGULATIONS.

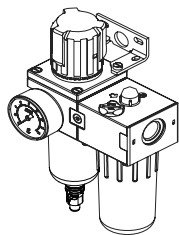
**TECHNICAL PROPERTIES**

Type	Operating pressure range (bar)	Inlet pressure (bar)	Outlet pressure (bar)	Temp. range (°C)
F1/2	0 – 16			0...+50 (10 bar)
R1/2		0 – 16	0,5 – 10 * 0,5 – 4 * 0,5 – 16	0 ... +60
Y1/2	0 – 16			-20...+50 (10 bar)
F1/4	0 – 16			0...+50 (10 bar)
R1/4		0 – 16	0,5 – 10 * 0,5 – 4 * 0,5 – 16	0 ... +60
Y1/4	0 – 16			-20...+50 (10 bar)
FR1/4		0 – 16	0,5 – 10 * 0,5 – 4 * 0,5 – 16	0...+50 (10 bar)
F1	0 – 16			0...+50 (10 bar)
R1		0 – 16	0,5 – 9 * 0,3 – 6 * 0,6 – 15	0...+50
Y1	0 – 16			-20...+50 (10 bar)
MF1/4	0 – 16			0...+50 (10 bar)
MR1/4 –		0 – 16	0,5 – 8 * 0,5 – 4 * 0,5 – 16	0...+60
MFR1/4				0...+50 (10 bar)
MY1/4	0 – 16			-20...+50 (10 bar)
MF1/2	0 – 16			0...+50 (10 bar)
MR1/2 –		0 – 16	0,5 – 8 * 0,5 – 4 * 0,5 – 10	0...+60
MFR1/2				0...+50 (10 bar)
MY1/2	0 – 16			-20...+50 (10 bar)

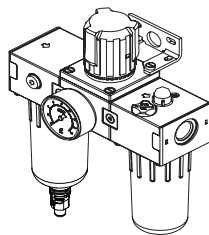
(\*) optional



MFR-1/2"

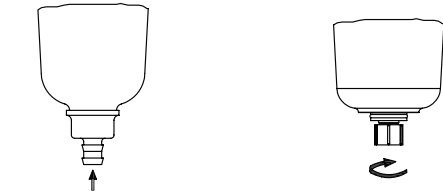


M(FR)Y-1/2"



MFRY-1/2"

**DRAINING WATER OF THE FILTER (MANUEL)** (Figure-1)



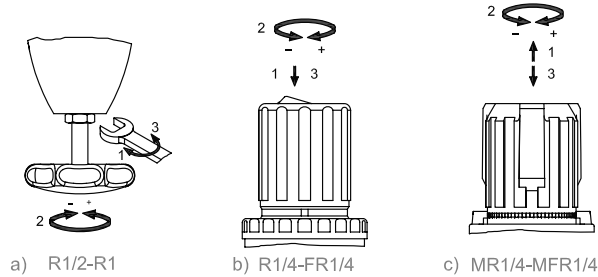
a) F1/4-FR1/4-MF1/4-MFR1/4

b) F1/2-F1\*\*

c) MF1/2-MFR1/2

**ADJUSTING THE REGULATOR**

(Figure-2)



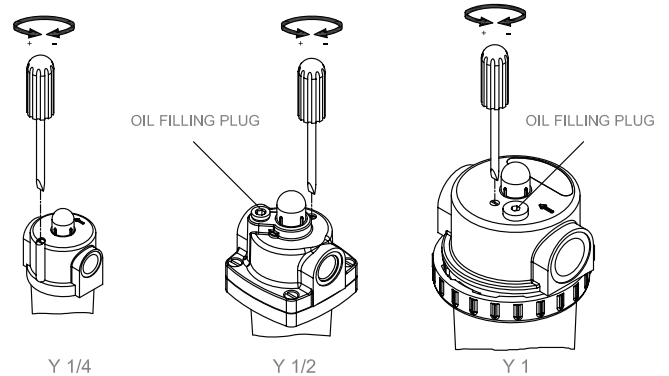
a) R1/2-R1

b) R1/4-FR1/4

c) MR1/4-MFR1/4  
MR1/2-MFR1/2

**ADJUSTING OIL LEVEL**

(Figure-3)

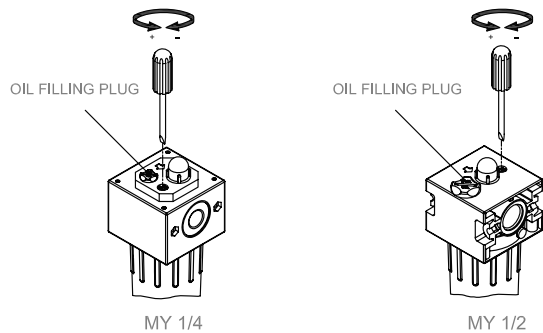


Y 1/4

Y 1/2

Y 1

Screwdriver: TS 59-3 A , 0,8x4 mm  
Allen wrench: TS 3797-1, 5 mm (Y1/2), 6 mm (Y1)



MY 1/4

MY 1/2

Screwdriver : TS 59-3 A , 0,8x4 mm (MY1/4 yağ ayar vidası)  
0,6x3 mm (MY1/2 yağ ayar vidası)  
1,2x8 mm (yağ dolum tapası)