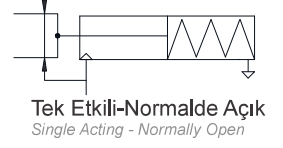
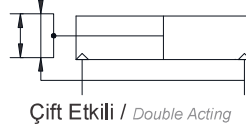


PNÖMATİK TUTUCU-PARALEL PNEUMATIC AIR GRIPPER-PARALLEL

CYLINDERS SİLİNDİRLER

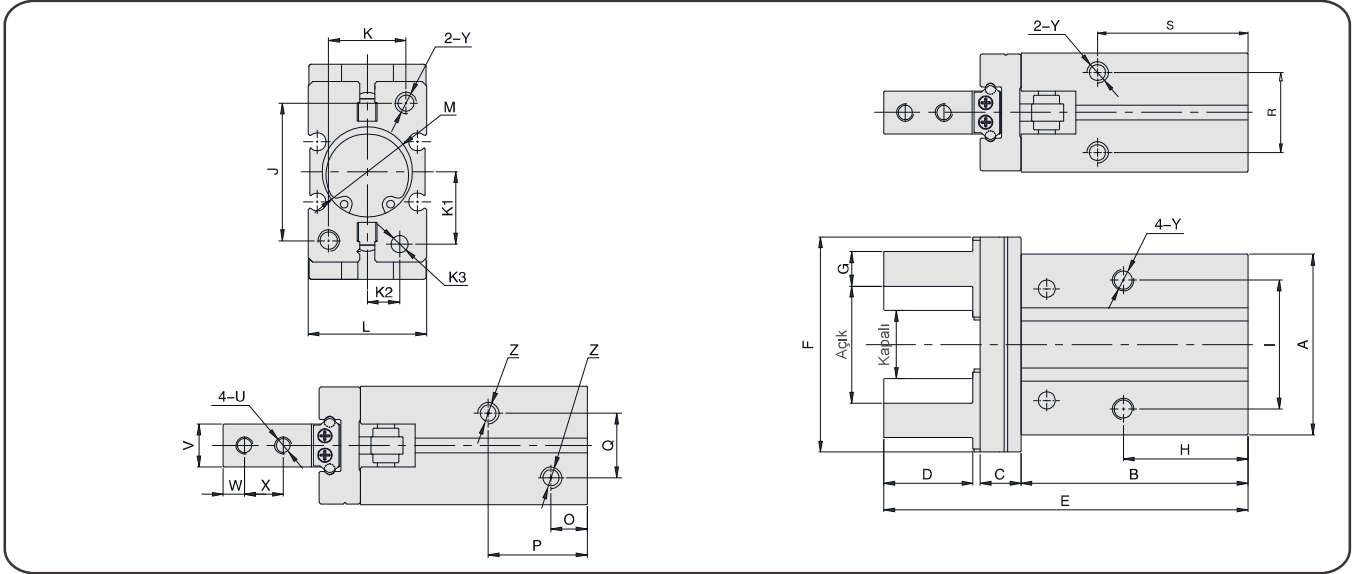


PTP -

Çap Diameter
10, 16, 20, 25

Tip / Type	
CE	Çift Etkili / Double Acting
TE-NA	Tek Etkili-Normalde Açık Single Acting - Normally Open

Ölçüler / Dimensions



	A	B	C	D	E	F	G	H	I	J	K	L	M	O	P
PTP-10	23	37.6	6	12.3	57	29	4 ⁰ _{-0.05}	23	16	18	12	16.4	11 ^{+0.05} ₀	7	18.8
PTP-16	30.6	42.5	7.5	15.5	67.3	38	5 ⁰ _{-0.05}	24.5	24	22	15	23.6	17 ^{+0.05} ₀	7.1	18.5
PTP-20	42	52.8	9.5	20.7	84.7	50	8 ⁰ _{-0.05}	29	30	32	18	27.6	21 ^{+0.05} ₀	8.4	23
PTP-25	52	63.6	11	25.5	102.7	63	10 ⁰ _{-0.05}	30	36	40	22	33.6	26 ^{+0.05} ₀	9.5	23.5

	Q	K1	K2	K3	R	S	U	W	V	X	Y	Z	Açık	Kapalı
PTP-10	10	7.6	5.2	2 ^{+0.05} ₀	11.4	27	M2.5x0.45	3	5 ⁰ _{-0.05}	5.7	M3x0.5	M3x0.5	14.8 ⁺² ₀	11.4 ⁰ _{-0.7}
PTP-16	13	11	6.5	3 ^{+0.05} ₀	16	30	M3x0.5	4	8 ⁰ _{-0.05}	7	M4x0.7	M5x0.8	20.8 ⁺² ₀	14.8 ⁰ _{-0.7}
PTP-20	15	16.8	7.5	4 ^{+0.05} ₀	18.6	35	M4x0.7	5	10 ⁰ _{-0.05}	9	M5x0.8	M5x0.8	26 ⁺² ₀	16.2 ⁰ _{-0.7}
PTP-25	19.5	21.8	10	4 ^{+0.05} ₀	22	36.5	M5x0.8	6	12 ⁰ _{-0.05}	12	M6x1.0	M5x0.8	33.5 ⁺² ₀	19.2 ⁰ _{-0.7}

Tutma Kuvveti ve Hareket

Clamping Force and Stroke

Tip Type	Tek Hava Parmağının Sıkma Kuvveti (N) Clamping force effective value of single air finger(N)		Hareket (iki Taraflı) Stroke (two side) (L) (mm)
	Kapatma Sıkma Torku Closure clamping torque	Açık Sıkma Torku Open clamping torque	
PTP-10-CE	11	17	4
PTP-16-CE	34	45	6
PTP-20-CE	45	68	10
PTP-25-CE	69	102	14
PTP-10-TE-NA	7	-	4
PTP-16-TE-NA	27	-	6
PTP-20-TE-NA	35	-	10
PTP-25-TE-NA	55	-	14

Özellikler / Specifications

Çap (Diameter)		10	16	20	25
Uygulama Basınç Aralığı Applicable pressure range	Çift Etkili Double acting	1.5~7 bar		1~7 bar	
	Tek Etkili Single acting	3~7 bar		2.5~7 bar	
Çalışma Sıcaklığı Working temperature		-20~80°			
Port Ölçüsü Port size		M3x0.5		M5x0.8	
Ağırlık(g) Weight(g)		52	120	236	430

